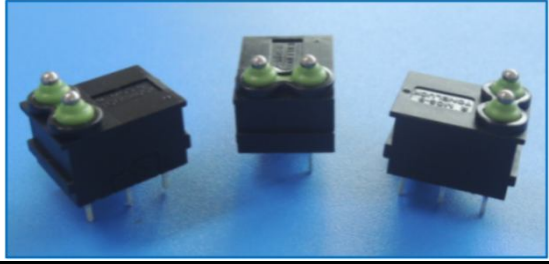


Specifications

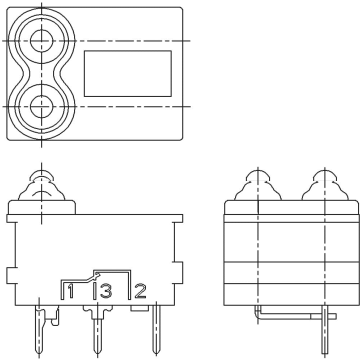
Electrical Rating	10~50mA 12~24 VDC	250,000 cycles Min.
Operating Temp:	-40°C to +85°C	
Mechanical Life:	500,000 cycles Min.	
Contact Resistance:	50mΩ Max. (initial)	
Operating Force:	160±80gf	
Insulation Resistance:	100ΩM Min.	
Dielectric Strength:	500VAC for 60 ± 5 sec	
Housing:	UL 94 HB Thermoplastic (Base) UL 94 HB Thermoplastic (Cover)	



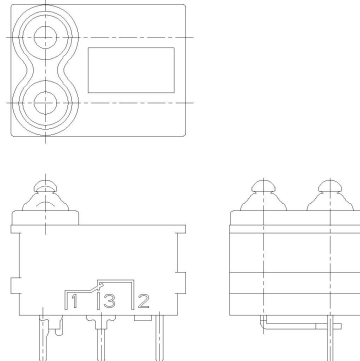
Series	IP Protection		OF	OP
	Actuation Side	Terminal Side		
MQS-8-A001	IP 67	IP 00	160±80 gf	3.45±0.2mm
MQS-8-A002	IP 67	IP 00	160±80 gf	3.45±0.2mm

Ordering Instructions

MQS-8-A001

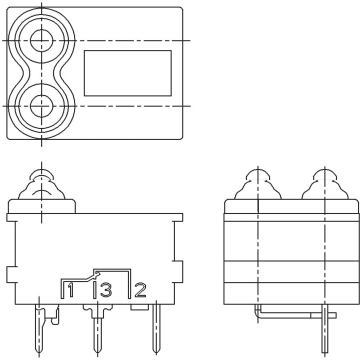


MQS-8-A002



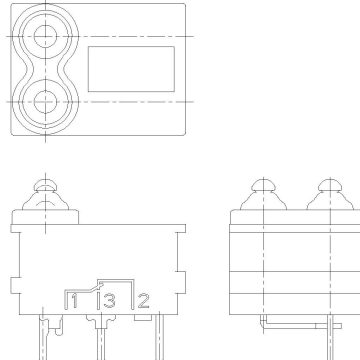
MQS-8-A003

Plunger: MQS-6plastic

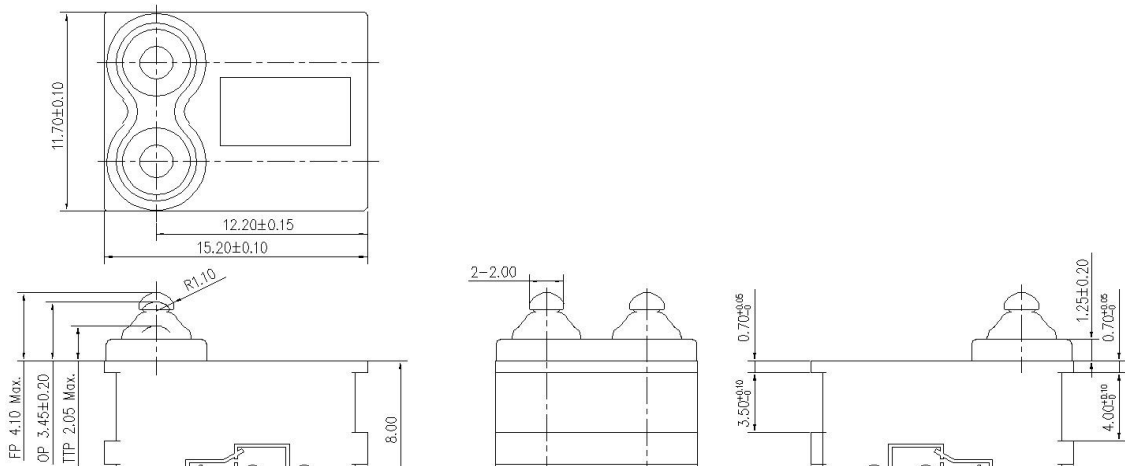


MQS-8-A004

Plunger: MQS-6plastic

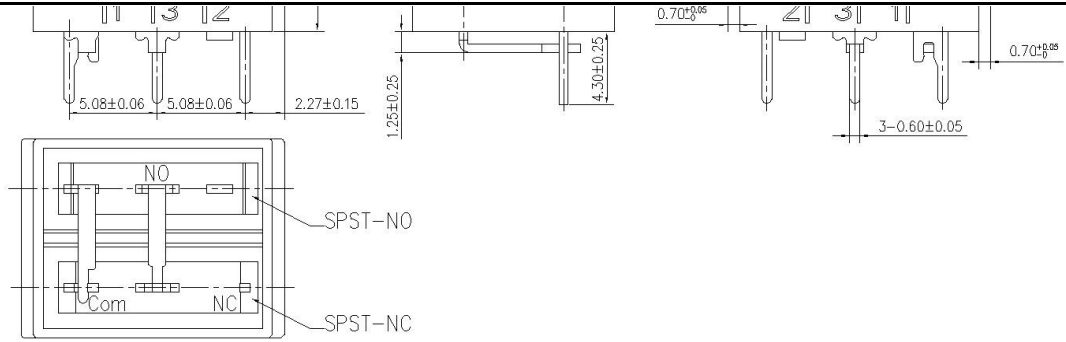


Basic Dimensions

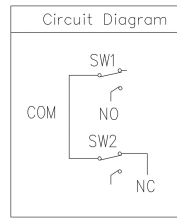
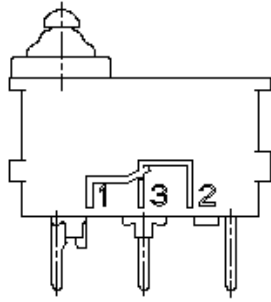


MQS-8 Sub-Miniature Switch

TONELUCK



Circuit



1: COM 3: NO 2: NC

Actuation Angle

Besides actuating the micro-switch vertically, the switch could be operated by cam-shaped or chamfered sliding actuators with an approximate value of max. 40°. Please refer to the technical specification for the specified conditions.

