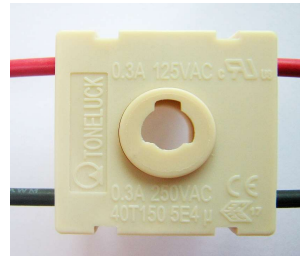


Design Features & Specifications

Rating:	0.3A 125VAC UL & C-UL 0.3A 250VAC ENEC
Electrical Life:	100,000 cycles UL & C-UL 50,000 cycles ENEC
Operating Temp:	-40°C ~ +150°C
Insulation Resistance:	100 MΩ min.
Dielectric Strength:	1250VAC for 60 +/- 5 sec
Housing	UL 94V0
Proof Tracking Index:	175V



Ordering Instructions

	RB02	-	01	A	1	-	01
Model							
RB02							
RB03							
RB04							
RB06							
Cam							
01; 02;							
04; 05; 06;							
03; 07; 11;							
Rating							
A: 0.3A 125VAC UL & C-UL							
0.3A 250VAC ENEC							
Cam Color							
1: Ivory(original)							
3: Black							
Versions							
Standard: 01							
Custom-made							
Others							

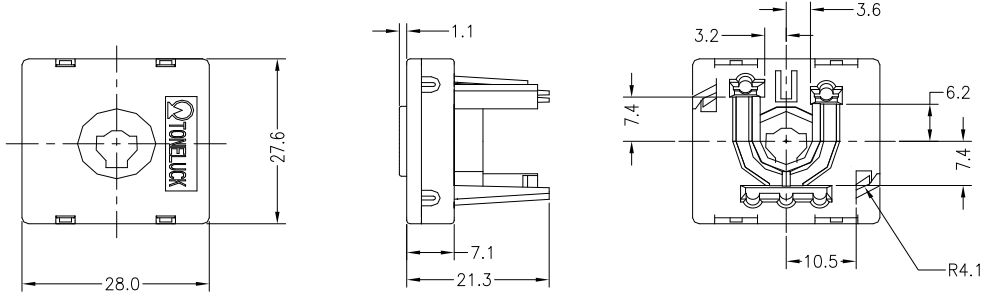
Step 1 - Pick up a switch from RB series.

Step 2 - Let us know other parameters you need for the wire assemblies (e.g.: wire etc).

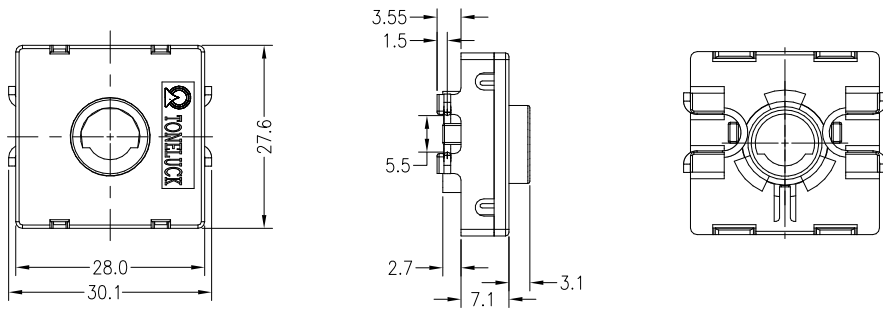
Step 3 - Contact Toneluck sales representative who will give you detail drawing with part-number which is something like RB02-A05-001.

Model Dimensions

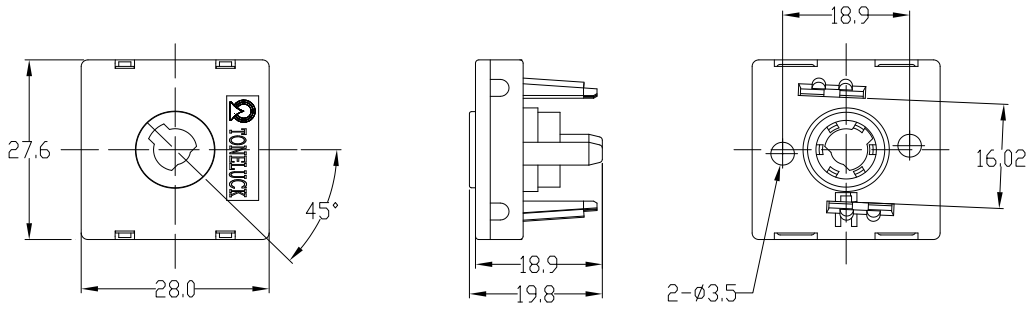
RB02



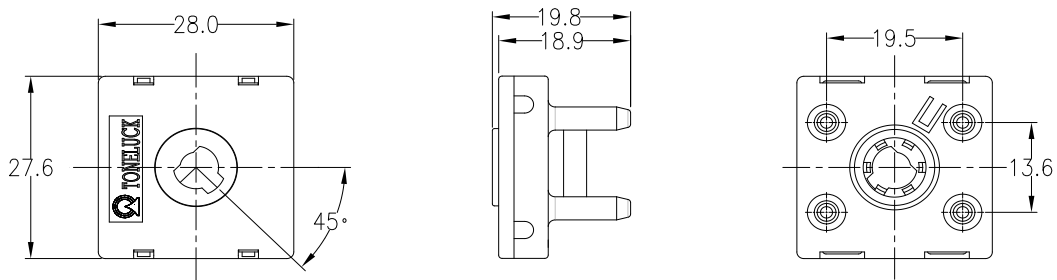
RB03



RB04



RB06

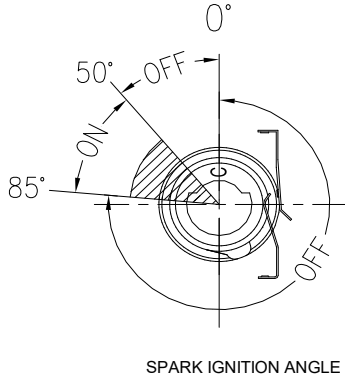
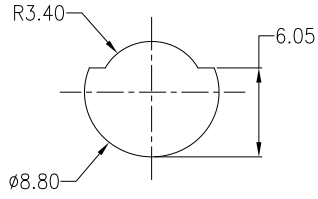


Cam Dimensions

Cam Types For RB02	
<p>01</p> <p>Shaft Hole Dimensions:</p>	<p>02</p> <p>Shaft Hole Dimensions:</p>
<p>SPARK IGNITION ANGLE</p>	<p>SPARK IGNITION ANGLE</p>
Cam Types For RB03	
<p>04</p> <p>Shaft Hole Dimensions:</p>	<p>05</p> <p>Shaft Hole Dimensions:</p>
<p>SPARK IGNITION ANGLE</p>	<p>SPARK IGNITION ANGLE</p>

06

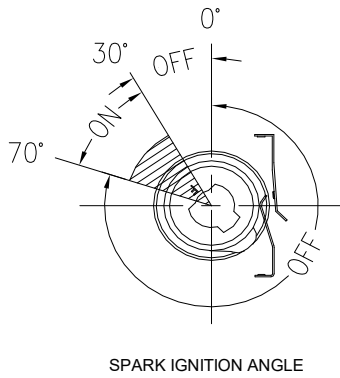
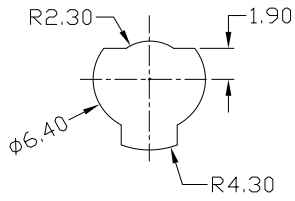
Shaft Hole Dimensions:



Cam Types For RB04&RB06

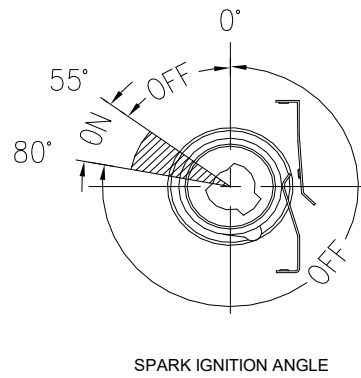
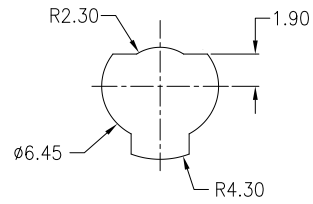
03

Shaft Hole Dimensions:



07

Shaft Hole Dimensions:



11

Shaft Hole Dimensions:

