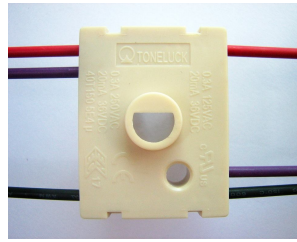


**Design Features & Specifications**

Rating:	0.3A 125VAC UL & C-UL 20mA 36VDC UL & C-UL 0.3A 250VAC ENEC 20mA 36VDC ENEC
Electrical Life:	100,000 cycles UL & C-UL 50,000 cycles ENEC
Operating Temp:	-40°C ~ +150°C
Insulation Resistance:	100 MΩ min.
Dielectric Strength:	1250VAC for 60 +/- 5 sec
Housing	UL 94V0
Proof Tracking Index:	175V



**Ordering Instructions**

	RC01	-	01	A	1	-	01
<b>Model</b>	RC01						
	RC02						
	RC03						
	RC04						
	RC05						
	RC06						
<b>Cam</b>							
	01;						
	02;						
	03; 06; 07; 07;						
	04; 05;						
<b>Rating</b>							
	A: Double circuit						
	B: Single circuit						
	- ignition only						
<b>Cam Color</b>							
	1: Ivory(original)						
<b>Versions</b>							
	<b>Standard: 01</b>						
	Custom-made						
	Others						

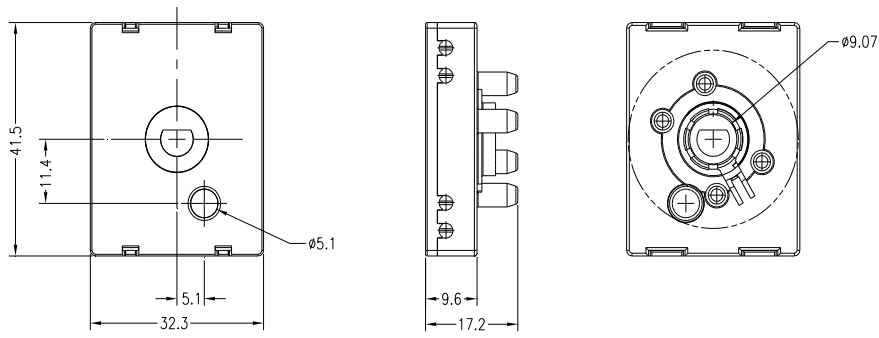
Step 1 - Pick up switches from RC series.

Step 2 - Let us know other parameters you need for the wire assemblies (e.g.: wire etc).

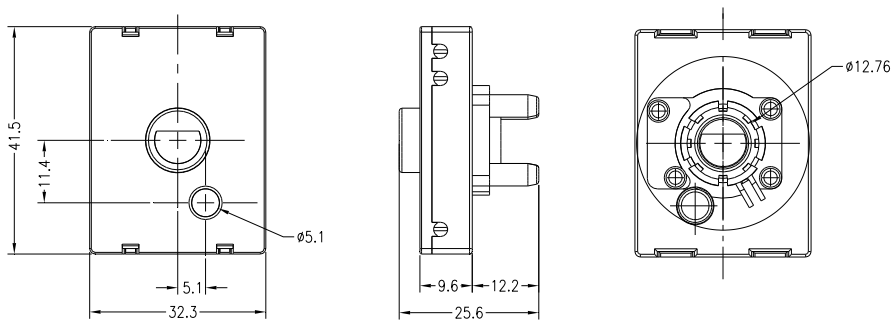
Step 3 - Contact Toneluck sales representative who will give you detail drawing with part-number which is something like RC-A06-001.

Model Dimensions

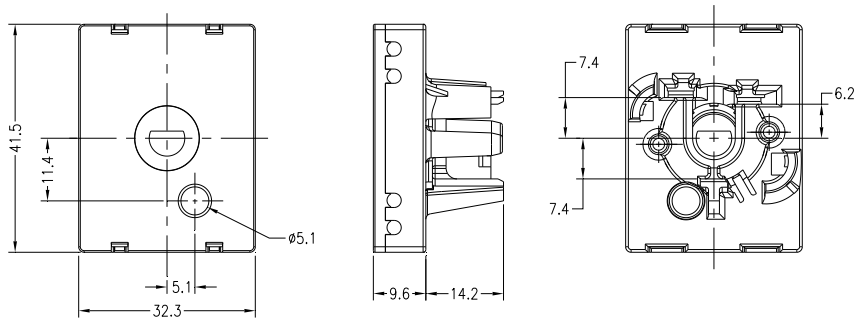
RC01



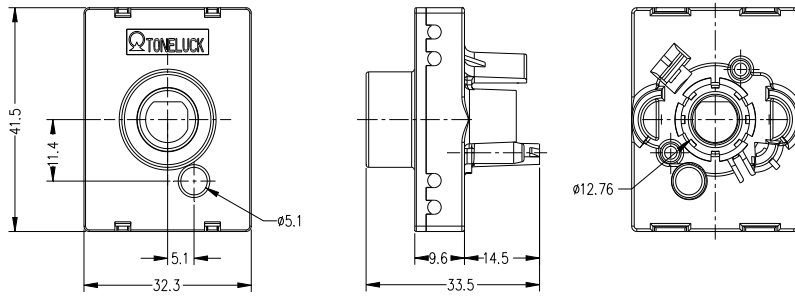
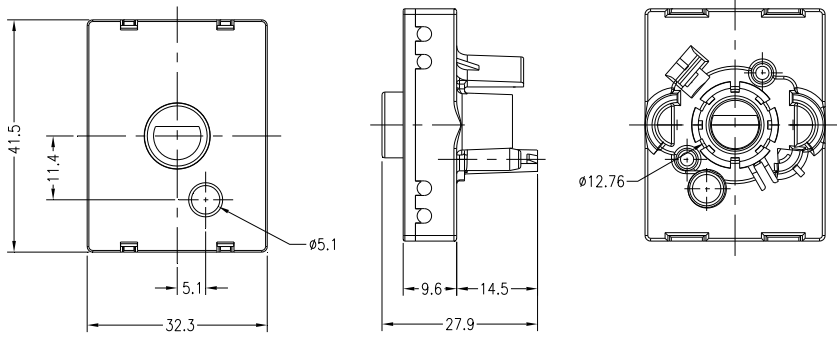
RC02



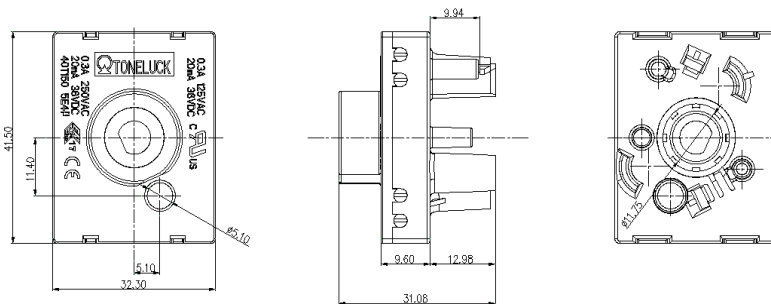
RC03



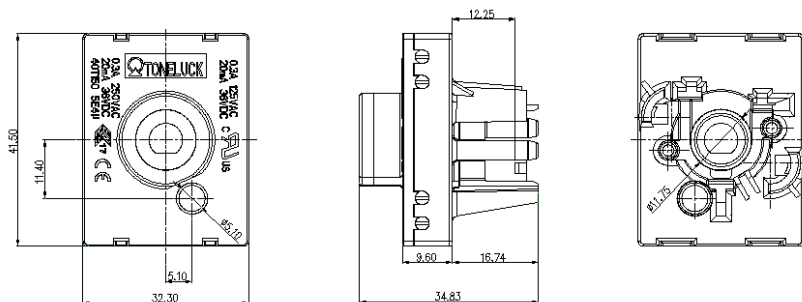
RC04



RC05



RC06



RC07

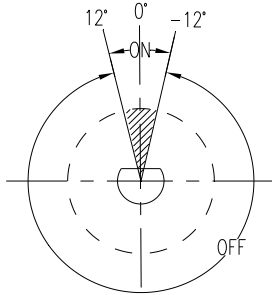
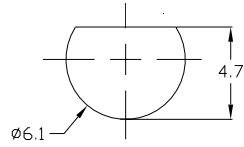


**Cam Dimensions**

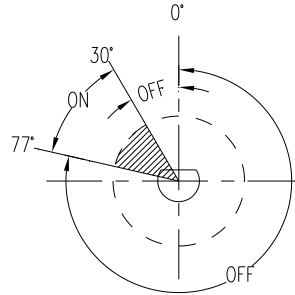
Cam Type For RC01

01

Shaft Hole Dimensions:



VALVE POSITION SENSE

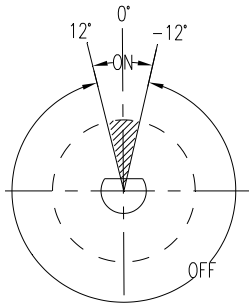
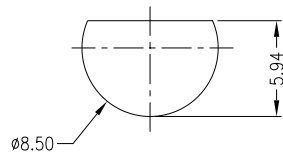


SPARK IGNITION ANGLE

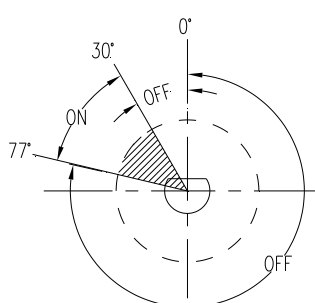
Cam Type For RC02

02

Shaft Hole Dimensions:



VALVE POSITION SENSE

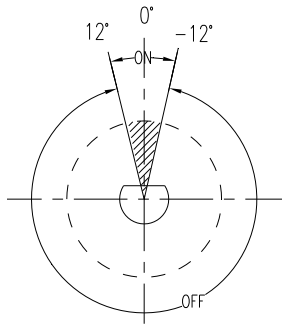
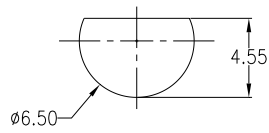


SPARK IGNITION ANGLE

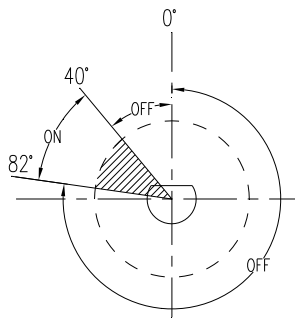
Cam Types For RC03

03

Shaft Hole Dimensions:



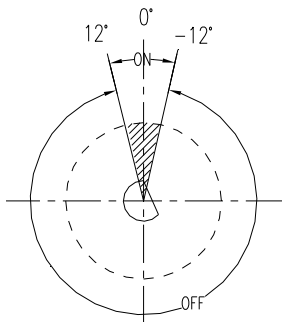
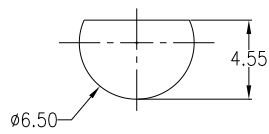
VALVE POSITION SENSE



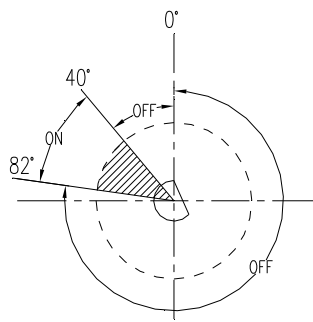
SPARK IGNITION ANGLE

06

Shaft Hole Dimensions:



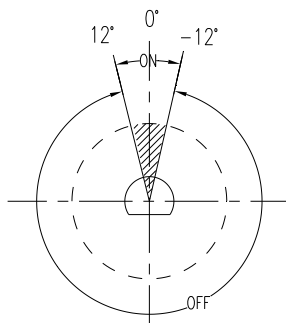
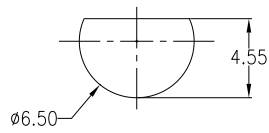
VALVE POSITION SENSE



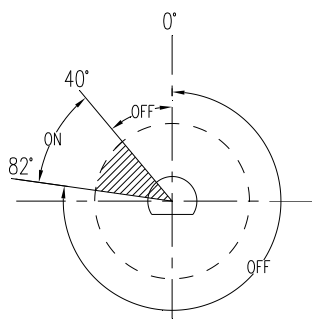
SPARK IGNITION ANGLE

07

Shaft Hole Dimensions:



VALVE POSITION SENSE

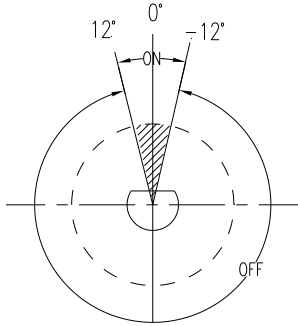
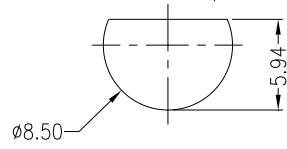


SPARK IGNITION ANGLE

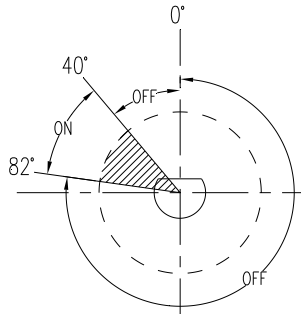
Cam Types For RC04

04

Shaft Hole Dimensions:



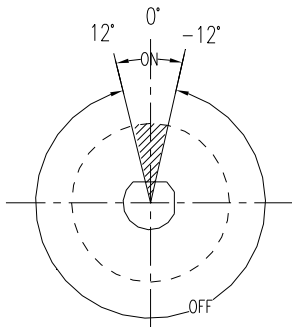
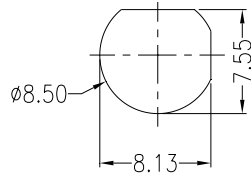
VALVE POSITION SENSE



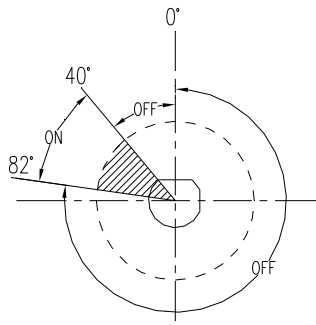
SPARK IGNITION ANGLE

05

Shaft Hole Dimensions:



VALVE POSITION SENSE

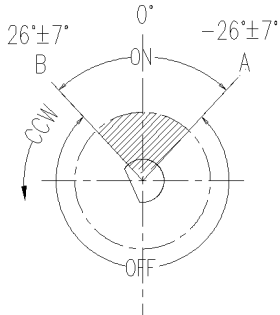
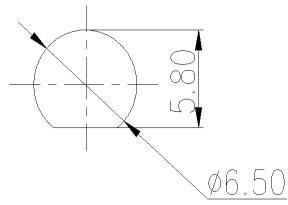


SPARK IGNITION ANGLE

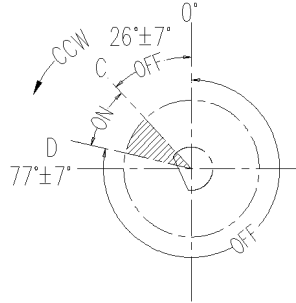
Cam Types For RC05

08

Shaft Hole Dimensions:



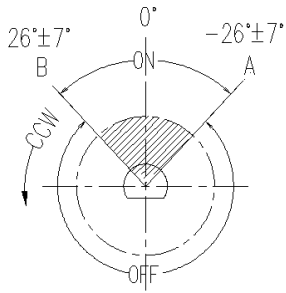
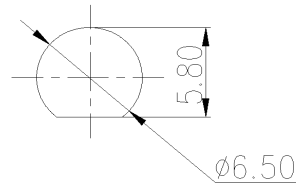
VALVE POSITION SENSE



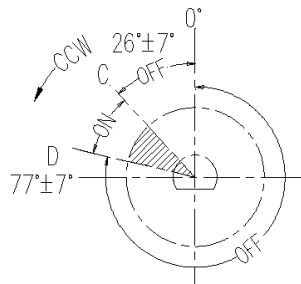
SPARK IGNITION ANGLE

Cam Types For RC06

09



VALVE POSITION SENSE



SPARK IGNITION ANGLE